

EMERGENCY KEY BOX/MANUAL KEY SWITCH/NOZZLE BOX



Model D-106

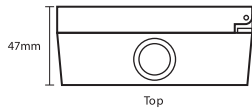
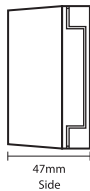
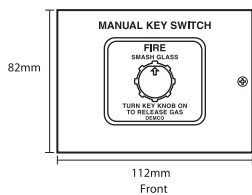
Model D-105

Model D-109

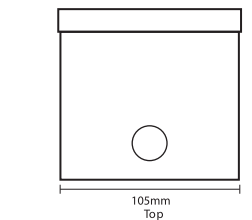
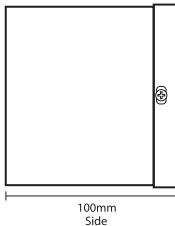
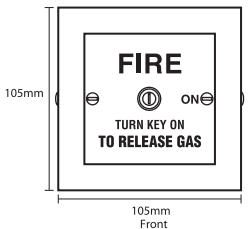
Model D-112

Model D-101KS

Manual Key Switch

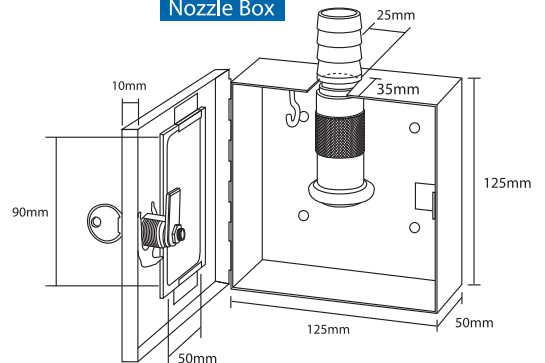


Casing Material
ABS Plastic
Net Weight
D-101KS: 175g



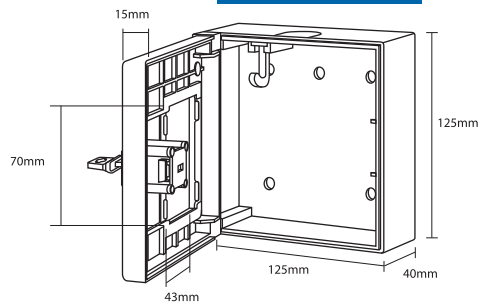
Casing Material
Mild Steel
Net Weight
D-105: 760g

Nozzle Box



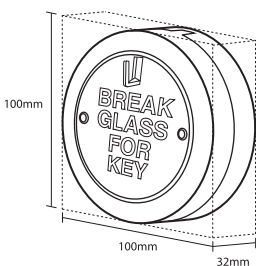
Casing Material
Mild Steel
Net Weight
D-109: 682g

Emergency Key Box



Casing Material
ABS Plastic
Net Weight
D-112: 250g

Emergency Key Box



Casing Material
ABS Plastic
Net Weight
D-106: 125g

DEMCO
INDUSTRIES SDN BHD
www.demcoalarm.com

Lot 3928, Jalan Keretapi Lama
Off Jalan Kapar 5 1/2 Miles
42100 Klang
Selangor Darul Ehsan
West Malaysia
Tel: 603-3290 3333
Fax: 603-3290 2288
E-mail: sales@demcoalarm.com
demco@tm.net.my



Specifications are subject to change

Quality without Compromise