

MOTOR DRIVEN DOME BELLS



Model D-132

DESCRIPTION

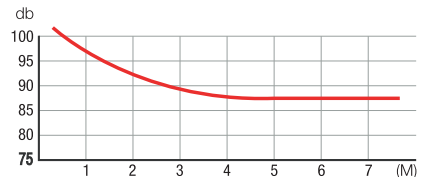
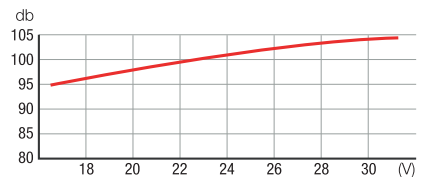
DEMCO Motor Driven Alarm Bells **D-132** are professionally designed to meet the special requirements of fire alarm/release systems where low power consumption and high sound output is essential. Due to its low current drain, high level sound can be achieved with multiple units on a single 2-wire output circuit.

The simplicity of the design constructs of high quality material and a heavy duty micro motor with built-in varistor suppression elements ensuring reliability and long life. Designed to meet the tough requirement of EN54-3:2001, Model **D-132** are easy to install and capable of operating under most adverse conditions.

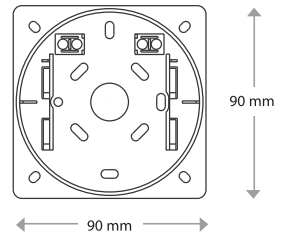
DEMCO ADVANTAGES

- Plug-in power supply.
- Interchangeable base suitable for surface mounting.
- Two gong sizes – 6 and 8 inches.
- Zero standby current.
- Low current consumption.
- Louder mechanical Resonant Tone.
- Integral RFI suppression to minimize induced noise on the alarm circuit.
- DC Voltage available in 12V and 24V.

DECIBEL LEVELS



Front View of Universal Base for 6" and 8" bells

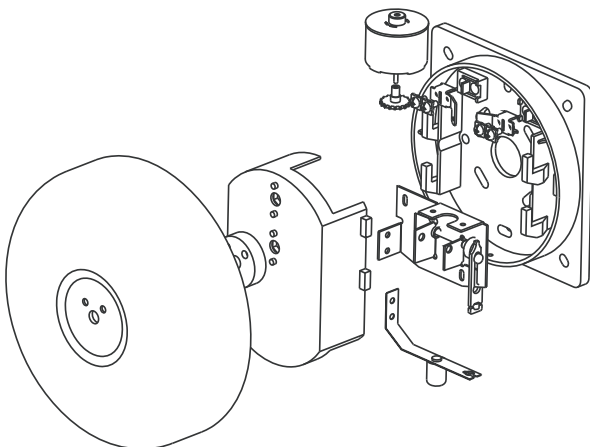


MOUNTING INSTRUCTION
The bell must be mounted with its striker pointing downward.

DECIBEL RATINGS/SPECIFICATIONS

DC Type		Decibel rating @ 1m (3ft)	
Voltage	Amps	150mm (6")	200mm (8")
12	0.05	95 dB	98 dB
24	0.03	95 dB	103 dB
Net/Gross Weight		748/812g	1130/1280g

Specifications are subject to change.



DEMCO
INDUSTRIES SDN BHD
www.demcoalarm.com

Lot 3928, Jalan Keretapi Lama
Off Jalan Kapar 5 1/2 Miles
42100 Klang
Selangor Darul Ehsan
West Malaysia
Tel: 603-3290 3333
Fax: 603-3290 2288
E-mail: sales@demcoalarm.com
demco@tm.net.my

